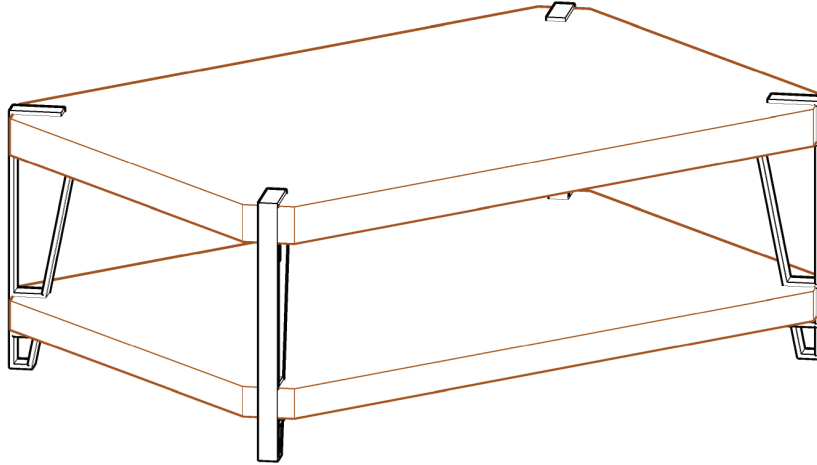


# Coffee Table






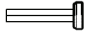

Thank you for purchasing our Coffee Table. It will be helpful to have a second person available during the assembly of this product.

---

## Assembly Instructions

Lay out all parts on a "non-abrasive" surface to avoid scratching furniture.

NO.	DRAWING	DESCRIPTION	QTY.
A		TOP	1
B		SHELF	1
C		LEG	4

NO.	DRAWING	DESCRIPTION	QTY.
D		M6X25MM BOLT	8
E		ALLEN KEY	1

### Step 1

Read through these instructions thoroughly before beginning assembly. We have found this to be of great value when first assembling this product.

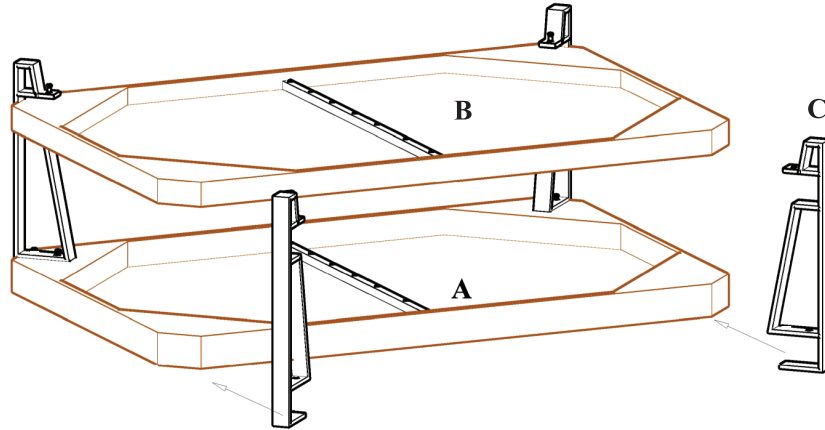
## Step 2

Remove all parts and hardware from packing material. Wooden pieces should be placed on a non abrasive surface (like the carton or carpet) to prevent damage to the finish.

## Step 3

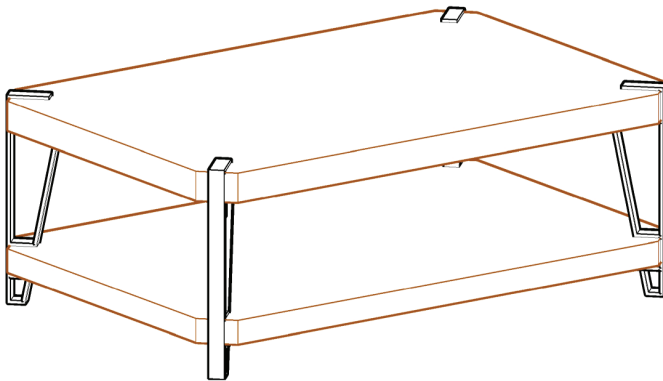
Lay Top (A) upside down and attach 4 Legs (C) using 8 6M x 25MM Bolts (D).

**TIGHTEN ALL BOLTS AT THIS TIME.**



## Step 4

Set Coffee Table Upright.



---

## CARE

Clean with mild soap and wipe dry.

---

## REPLACEMENT PARTS:

For best service, to order replacement parts go to [www.alaterrefurniture.com](http://www.alaterrefurniture.com).  
Use the order form on the web site to order your replacement parts.

Thank  
You!